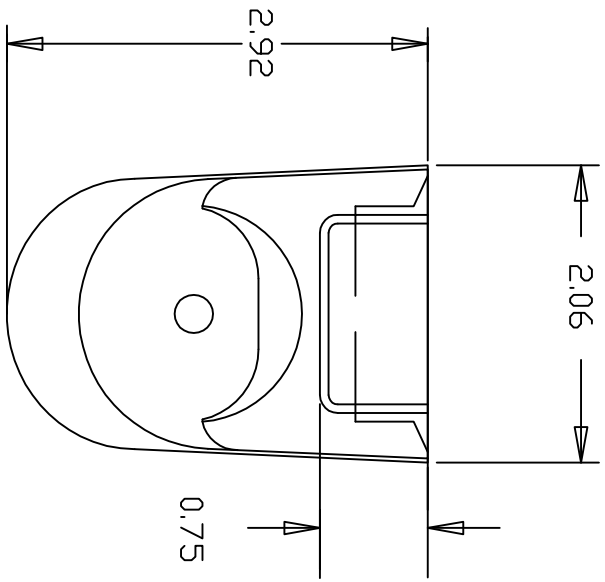


9/32" DIAMETER (2) PLCS.



ISSUE	REVISION	DATE	BY

DRAWN	D.S.	TITLE
DATE	10-01-15	SIGNAL MATE
TOLERANCES		
xxxxx	----	+/- .001
.xxxx	----	+/- .005
xx	----	+/- .010
63/ALL OVER U.D.S		
MATERIAL	BLACK HDPE	
PART #	14200010	

LED COMBD HOLDER,
10 DEGREE